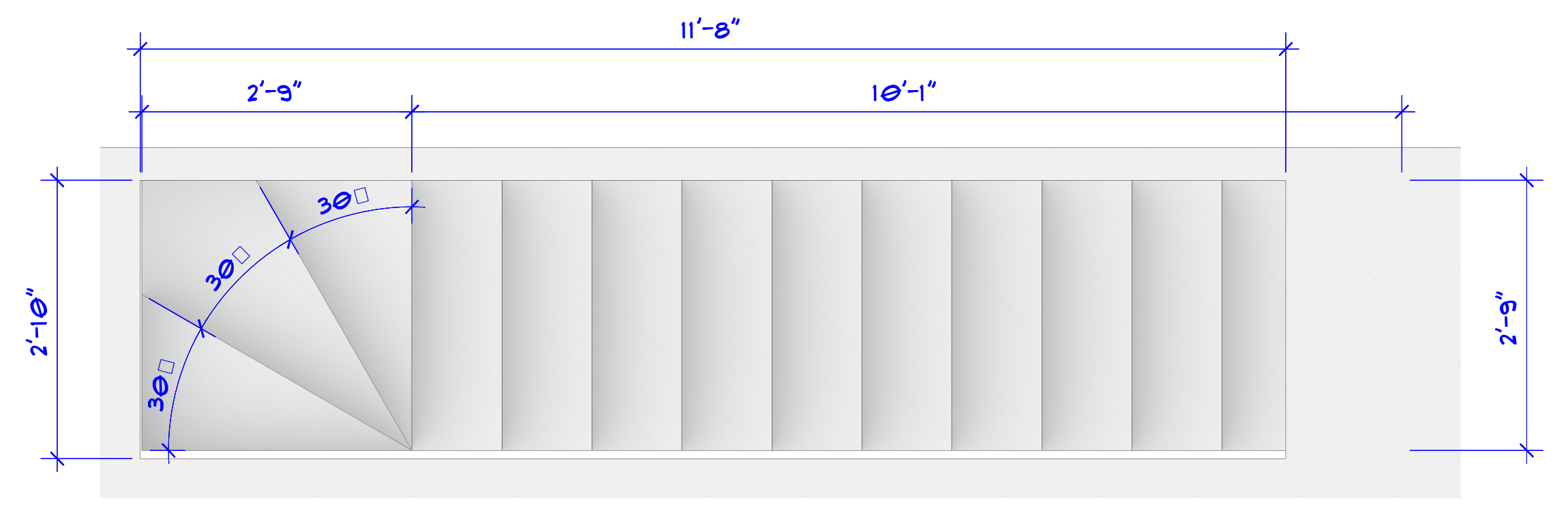
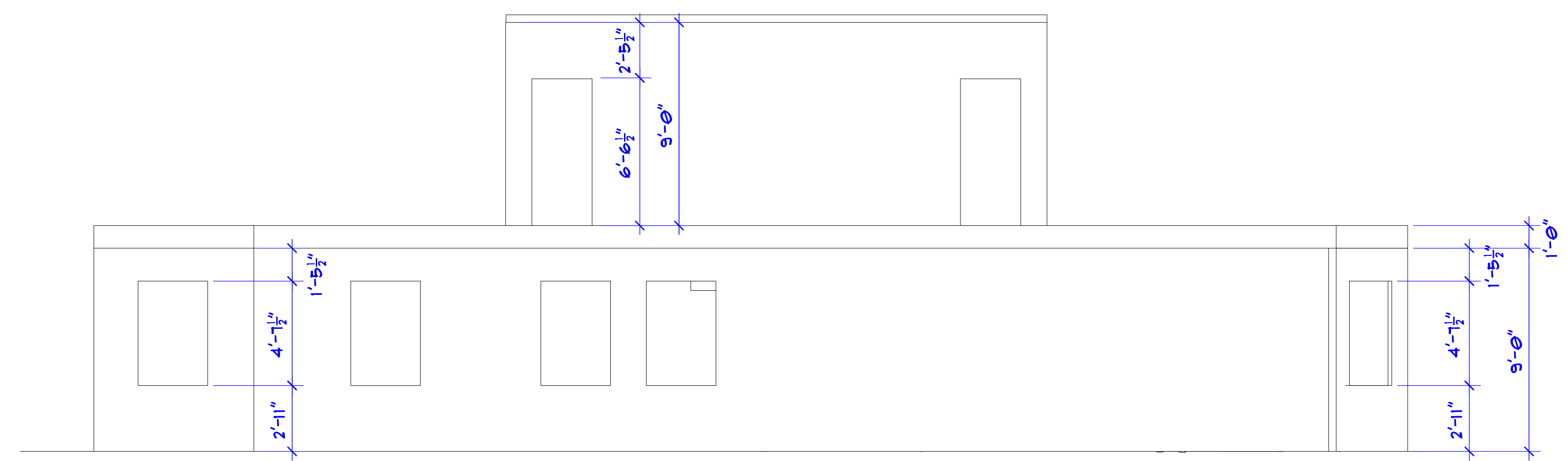


IB FLOOR 1 SECTION
SCALE 1/4" = 1'

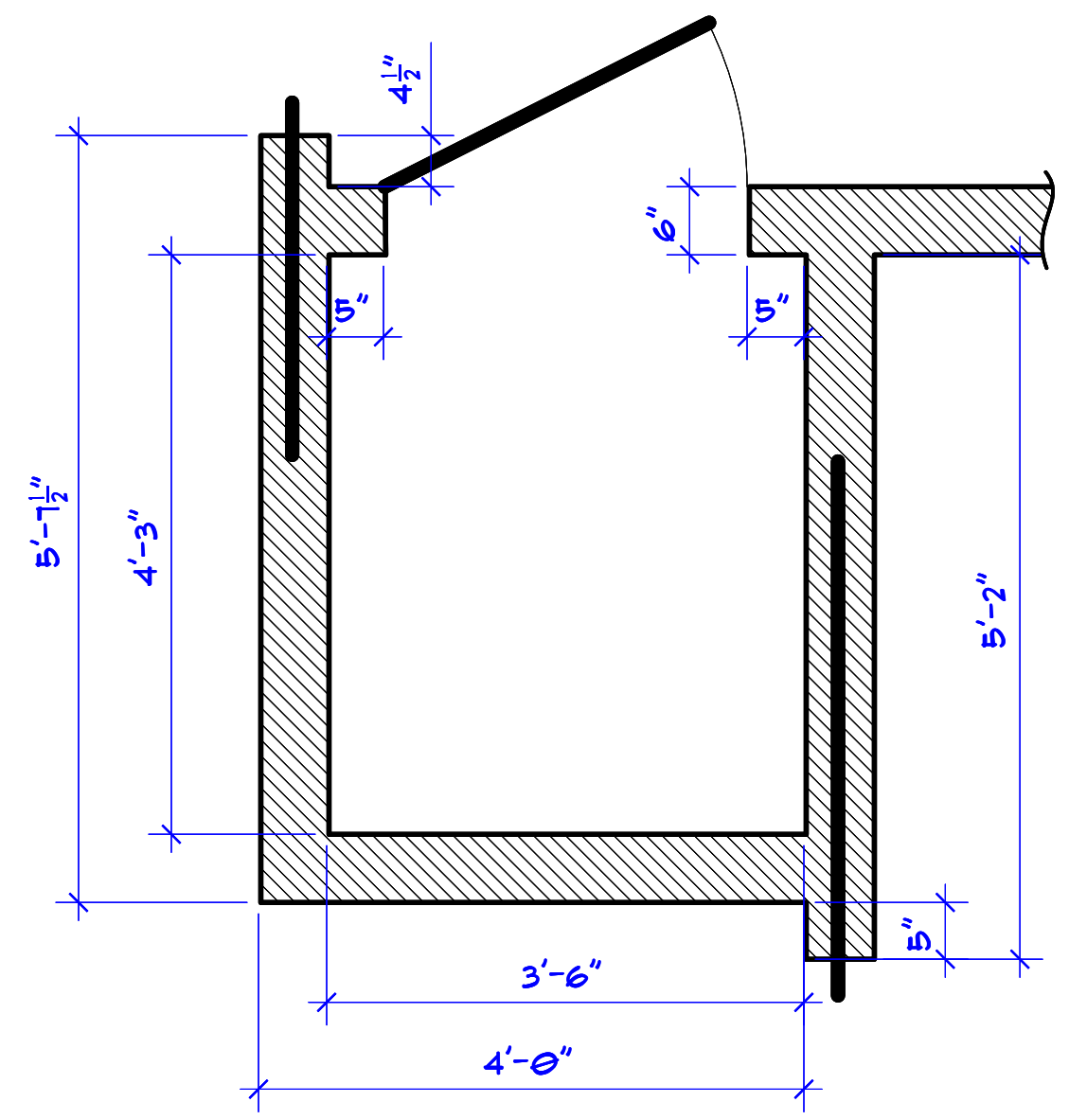
IC FLOOR 1 FRONT SECTION
SCALE 1/4" = 1'



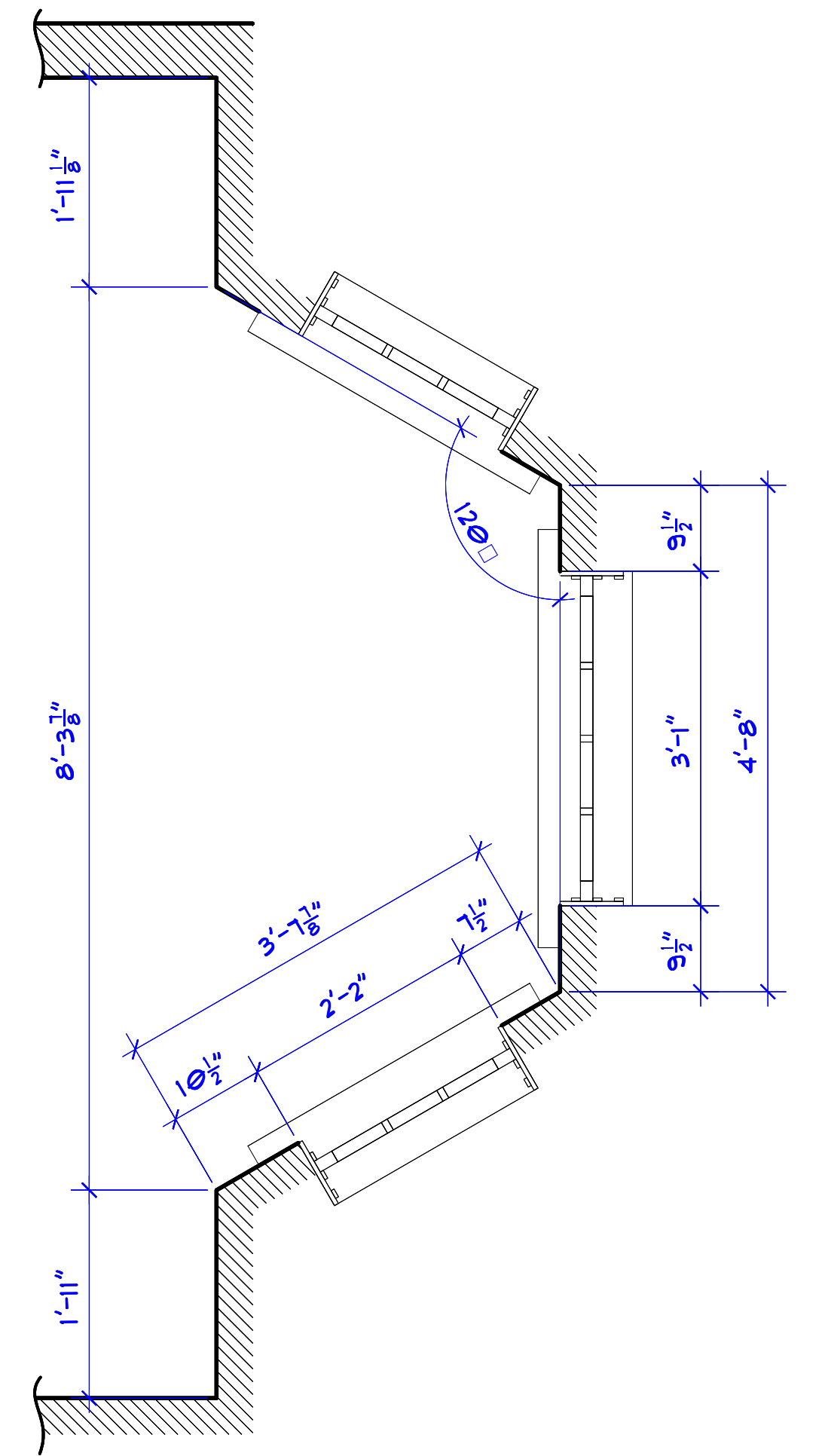
ID FLOOR 1 STAIR PLAN DETAIL
SCALE 3/4" = 1'



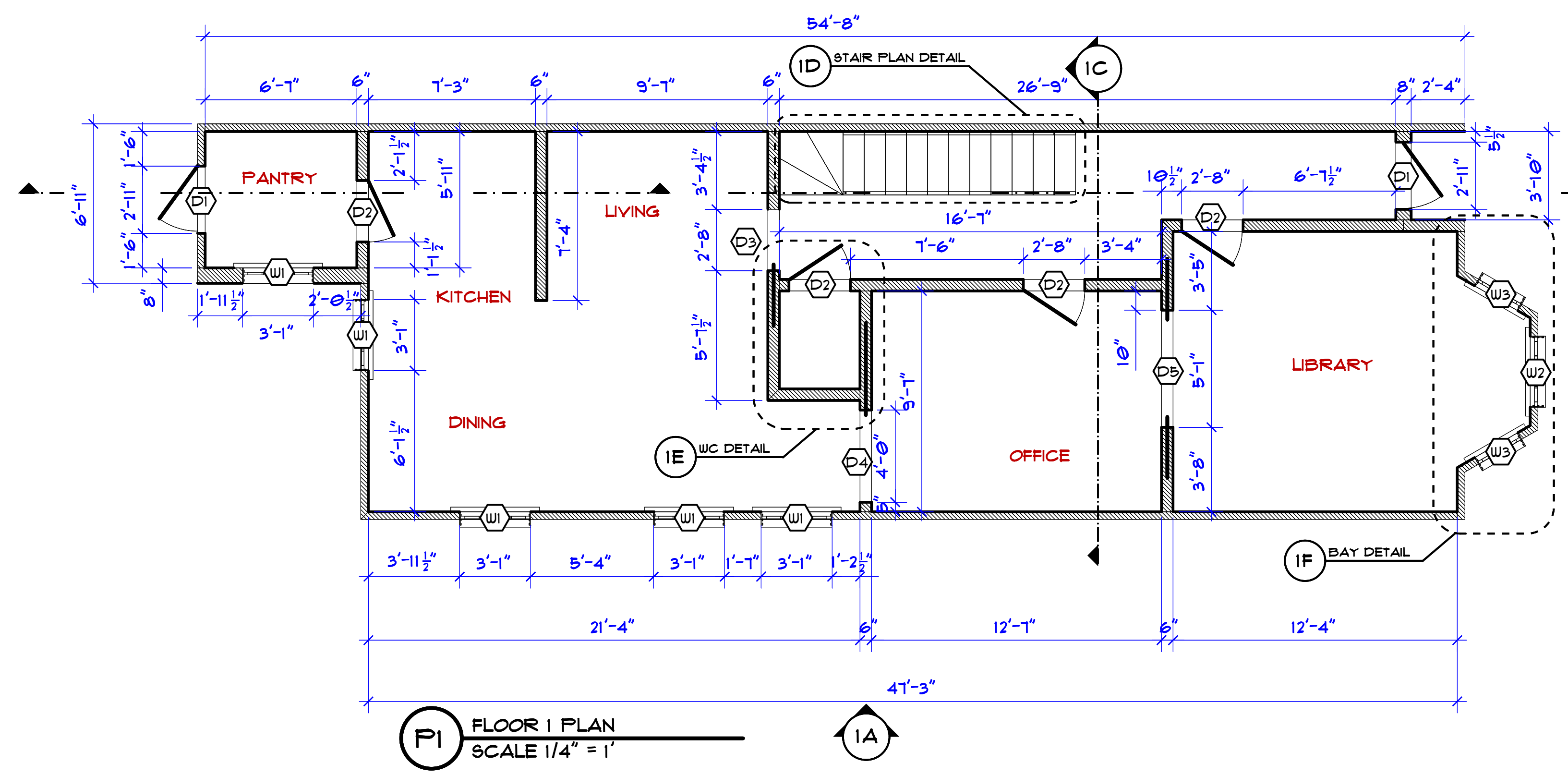
IA FLOOR 1 ELEVATION
SCALE 1/4" = 1'



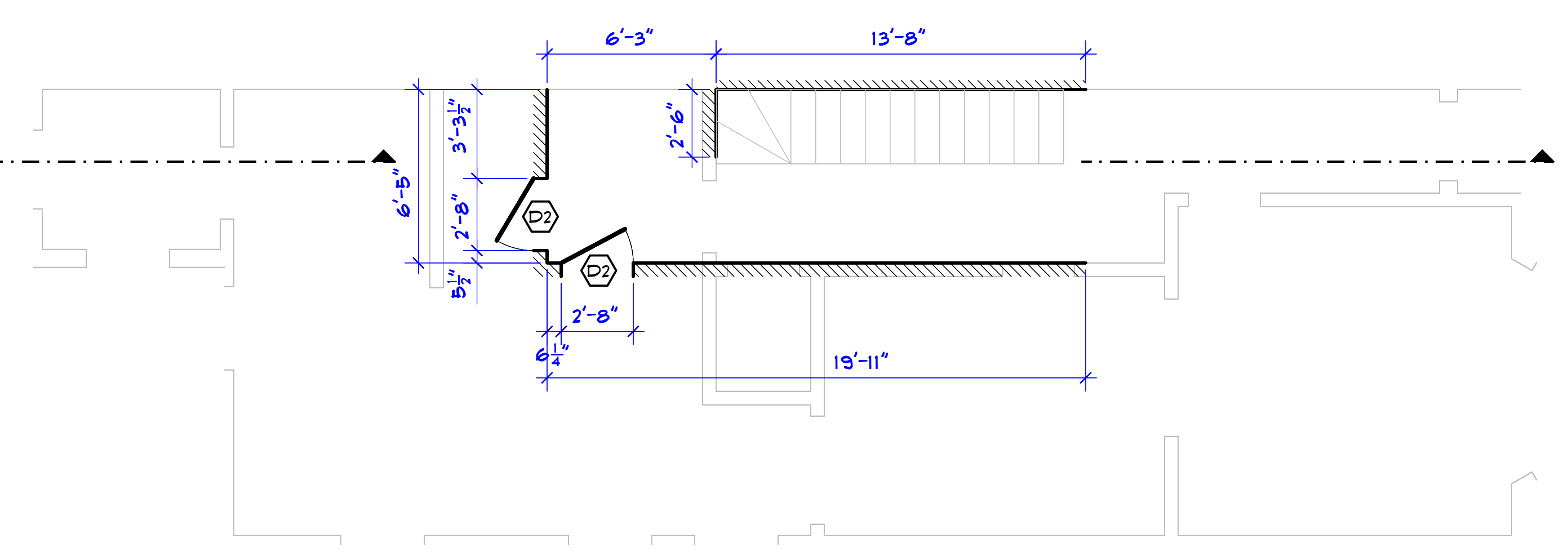
IE FLOOR 1 WC DETAIL
SCALE 3/4" = 1'



IF FLOOR 1 BAY DETAIL
SCALE 3/4" = 1'



PI FLOOR 1 PLAN
SCALE 1/4" = 1'



PIA FLOOR 1 UPPER RETURN
SCALE 1/4" = 1'

FLOOR 1



SET NAME	RAILCAR FLAT	REVISION	PRELIMINARY	SHEET
DRAWING	WALL CONSTRUCTION, FLOOR 1	DATE	8/24/2024	01
LOCATION				